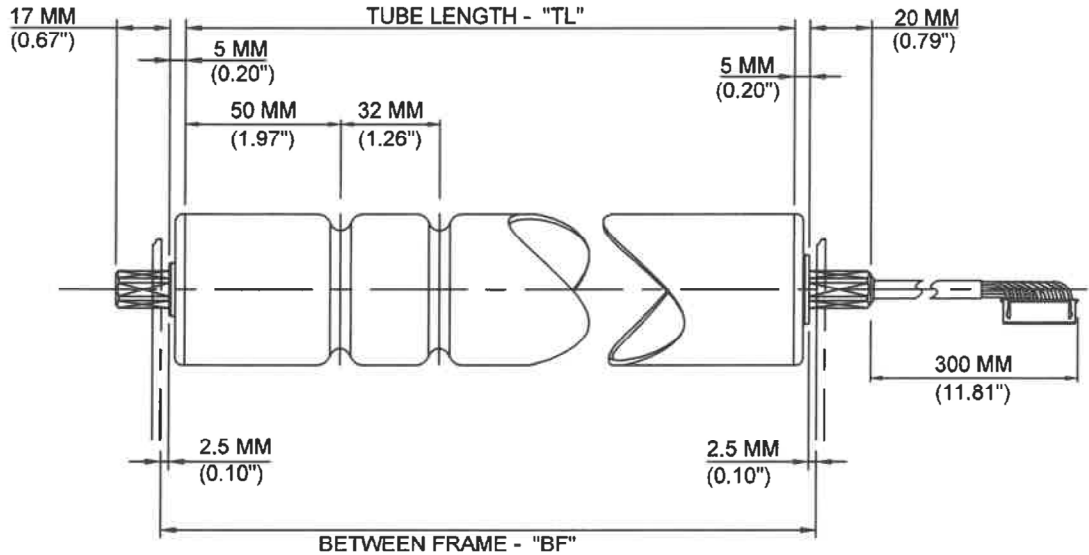
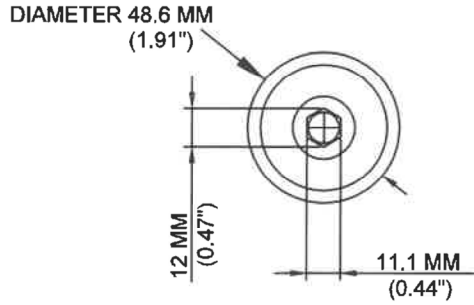


REV	REVISION DESCRIPTION	DATE



MODEL: PM486FS-"S"- "TL"-D-024-P2-KF

"S"	
SPEED CODE	NO LOAD SPEED
	FPM ± 5%
5	26.10
8	36.50
10	48.20
15	56.60
20	98.40
30	137.80
45	182.00
55	213.70

"TL"	
MM	INCHES
379	14.92
531	20.91
684	26.93
836	32.91

"BF"	
MM	INCHES
394	15.50
546	21.50
699	27.50
851	33.50

APPROVED BY: \_\_\_\_\_

DATE: \_\_\_\_\_

VOLTAGE: 24 VOLTS DC  
MOUNTING BRACKET: REQUIRED / NOT ORDERED  
DRIVER CARD: REQUIRED / NOT ORDERED  
OPTIONS:

- 1) P2 - DOUBLE GROOVED TUBE (50/32)
- 2) KF - MOUNTING BRACKETS PURCHASED SEPARATELY
- 3)

ALL DATA BASED ON USING AN ITOH DENKI DRIVER CARD \*ORDERING SEPARATE FROM MODEL #

ITOH DENKI USA, INCORPORATED  
PM486FS POWER MOLLER

CUSTOMER:	<b>WYNRIGHT</b>		
DRAWN BY:	NJB	SCALE: NONE	DATE: 11.6.19
CHECKED BY:	BNB	DRAWING NUMBER: IDU-H495	REVISION: 00

ROLLER RUN-OUT TOLERANCE			
LESS THAN 501 MM	501 MM TO 850 MM	851 MM TO 1000 MM	1001 MM TO 1500 MM
0.2 MM	0.3 MM	0.5 MM	0.8 MM
TUBE CUT LENGTH TOLERANCE			
LESS THAN 301 MM	301 TO 1000 MM	MORE THAN 1000 MM	
-0.5 MM +0 MM	-1 MM +0 MM	-1 MM	+1 MM