


Thick Wall Hinge Bases

Center Fulcrum Type

Feature: Out of the four-point mounting types, this has the highest strength.

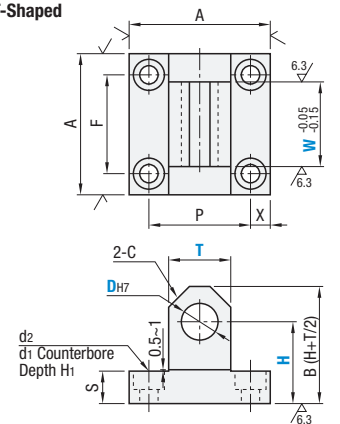


Thick Wall Hinge Bases – Center Fulcrum Type

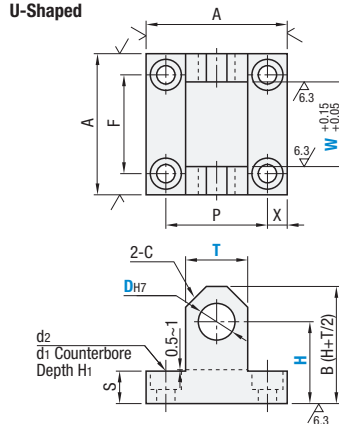
Type		Material	Surface Treatment
T-Shaped	U-Shaped		
HGCKB	HGCJB	1045 Carbon Steel or Equivalent	Black Oxide
HGCKM	HGCJM		Electroless Nickel Plating

$25 / (\sqrt{6.3} / 1.6)$

T-Shaped



U-Shaped



Part Number		T	W 1 mm Increment	H 1 mm Increment	A	F	P	X	S	d ₂	d ₁	H ₁	C
T-Shaped HGCKB HGCKM	4	12	4-8	20-30	32	18	22	5	7.5	4.5	8	4.5	3
	5	16	5-10				27	5.5					4
	6	16	6-12	25-35	38	27	27	5.5	9.5	5.5	9.5	5.5	4
		19					28.5	4.75					5
	8	19	8-16	30-40	45	32	32	6.5	11.5	6.5	11	6.5	5
		22					33.5	5.75					6
	10	19	10-20	35-45	50	35	32	6.5	16	9	14	9	5
		22					36	7					6
	12	22	12-30	40-50	60	40	37	6.5	16	9	14	9	6
		25					36	7					7
	13	22	13-30	40-50	60	40	43	8.5	16	9	14	9	6
		25					45	7.5					7
14	25	14-30	40-50	60	40	43	8.5	16	9	14	9	7	
	30					45	7.5					8	
15	25	14-30	40-50	60	40	43	8.5	16	9	14	9	7	
	30					45	7.5					8	
16	25	14-30	40-50	60	40	45	7.5	16	9	14	9	8	
	30					48	8.5					8	
20	38	20-35	40-50	65	45	54	8	16	9	14	9	11	
25	38	25-35	40-50	70	45	54	8	16	9	14	9	11	

Part Number Example

Part Number - T - W - H

HGCKB6 - T19 - W10 - H27

HGCJB20 - T30 - W30 - H45

List of Diameter (D_{H7}), Thickness (T) & Thickness on One Side


D _{H7}	Hinge Base Standard (P.3687-3695)		Hinge Base Thick			
	T	Thickness on one side (T-D _{H7})/2	T	Thickness on one side (T-D _{H7})/2	T	Thickness on one side (T-D _{H7})/2
4	9	2.5	12	4	—	—
5	12	3.5	16	5.5	19	7
6	16	3	19	5	22	6.5
8	16	4	19	5.5	22	7
10	16	3	19	4.5	22	6
12	19	3.5	22	5	25	6.5
13	19	3	22	4.5	25	6
14	19	4	22	5.5	25	8
15	22	3.5	25	5	30	7.5
16	22	3	25	4.5	30	7
20	25	2.5	30	5	38	9
25	30	2.5	38	6.5	—	—

Features: The hole's thickness on one side is selectable based on applied working load.

Hinge Bases

L-Shaped / Standard Type / with Tapped Hole for Stopper

Feature: Interference can be avoided by shifting the fulcrum position.

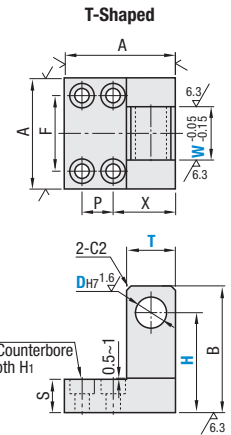


Hinge Bases – L-Shaped / Standard Type / with Tapped Hole for Stopper

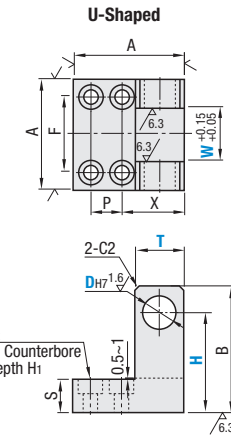
Type		Material	Surface Treatment
T-Shaped	U-Shaped		
HGLNB	HGLTB	1045 Carbon Steel or Equivalent	Black Oxide
HGLNM	HGLTM		Electroless Nickel Plating
—	HGLTS	304 Stainless Steel	—

$25 / (\sqrt{6.3} / 1.6)$

T-Shaped



U-Shaped



Part Number		W 1 mm Increment	H 5 mm Increment	A	F	P	X	B	S	T	d ₂	d ₁	H ₁	
T-Shaped HGLNB HGLNM	3	3-6	15-25	20	10	—	14.5	H+5	8	9	4.5	8	4.5	
	4	4-8	20-30	22	11	—	15.5		10					
	5	5-10	25-35	25	12	—	18.5	H+6	12	16	5.5	9.5	5.5	
	6	6-12		H+8										
	8	8-16		H+10										
U-Shaped HGLTB HGLTM HGLTS	10	10-18	30-40	32	20	—	24	H+10	14	19	6.5	11	6.5	
	12	12-30	45	28	12	25								
	13	13-30	35-45	50	34	14	28	H+12	15	22	25	9	14	9
	14	14-24												
	15	15-24												
	16	16-24	40-50	60	40	17	33	H+14	18	30	30	9	14	9
	20	20-30												
25	25-35	65	45	17	38	H+17	18	30	30	30	9	14	9	

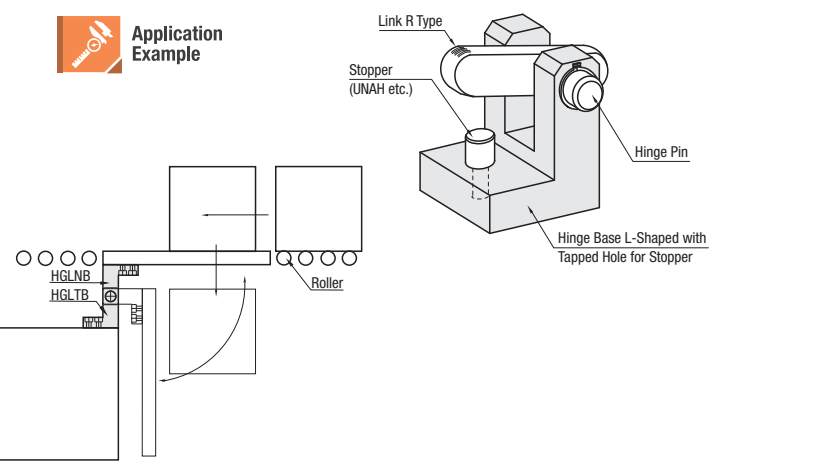
Part Number Example

Part Number - W - H

HGLNB12 - W12 - H35

HGLTS20 - W20 - H40

Application Example



Link R Type

Stopper (UNAH etc.)

Hinge Pin

Hinge Base L-Shaped with Tapped Hole for Stopper

Roller