


Hinges

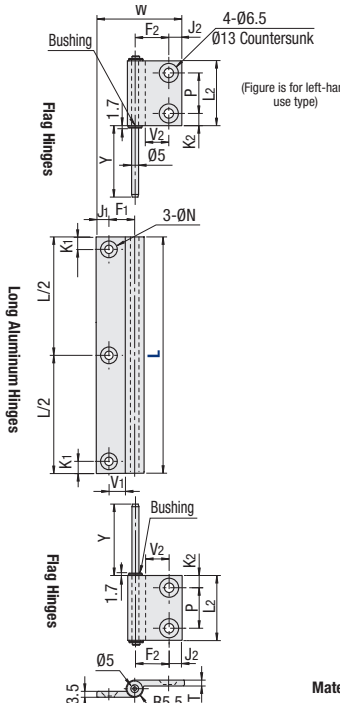
Aluminum Long

Long Aluminum Hinge



RoHS 10

HHPV
(For Right & Left Hand Use)



(Figure is for left-hand use type)

Material: 6063-T5 Aluminum Alloy
Bushing: Polyacetal
Surface Treatment: Anodize*

* No anodizing on ends of L dimension specified part.

Part Number	Hinge Frame L	Allowable Load	W	L ₂	P	K ₁	K ₂	J ₁	J ₂	F ₁	F ₂	V ₁	V ₂	Screws / Nuts (L Dimensions Less than 500 mm)								
														Through	Countersunk	T	Y					
HHPV	6-5	100-1000	10	98	55	40	25	7.5	8	10	16	21	10.5	15.5	5.5	11	3.5	43.5	Flathead Screw 6-10	4	HNTT6-6	4
	6-6																		Flathead Screw 5-8	3	HNTT5-5	3
	6-6																		Flathead Screw 6-10	7	HNTT6-6	7
	8-6																		Flathead Screw 6-15	4	HNTT8-6	4
	8-6																		Flathead Screw 6-10	3	HNTT6-6	3
845-6	71	50	30	8	10	14	21	26	15.5	20.5	6.5	13	4.5	38.5	Flathead Screw 6-15	4	HNTT8-6	4				
								11.5		28.5		23						Flathead Screw 6-10	3	HNTT6-6	3	

Part Number Example Part Number - L
HHPV6-5 - 200

Application Example



Example of Left-Hand Use
Single Joint Connection P.2852

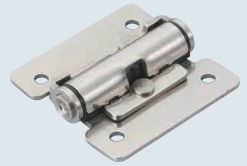
Part Number Alterations Part Number - L - (SET / SST)
HHPV8-6 - 250 - SET

Alteration	Code	Spec.	Hinges	No.
Applicable Screw Nut Set	SET	Applicable screws and nuts come in a set.	HHPV	6-5
	SST	When SST is specified, stainless steel screw and nut are included.		6-6
				8-6
				845-6

Torque Hinges

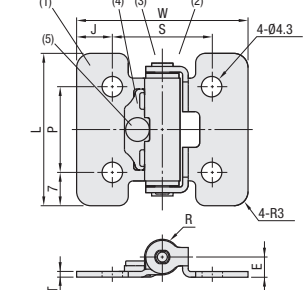
Fixed / Adjustable Type

Torque Hinges – Fixed Type



RoHS 10

HHPT



For Torque Hinges selection, refer to the Formula of Selection Guide on P.3261

Operating Temp. Range: -10~50°C
Operating Humidity Range: 90% RH or less

Cautions on Use

- Use 2 pcs. per door (flap)
- Place the axes of two hinges on a common line.
- Do not use in places where oil or grease contacts, or in the outdoors.
- Do not use for locations requiring frequent open/close.
- For its product properties, the Hinges are not designed for vertical use. Therefore, for allowable loads and the torque values at vertical use, refer to those of the products actually used.

Name of Parts	Material
(1) Wing	304 Stainless Steel
(2) Resin Barrel	Polyacetal
(3) Shaft	303 Stainless Steel
(4) Plate	304 Stainless Steel
(5) Swage Pin	302HQ Stainless Steel

Part Number	Type	* Torque Rating		Mass (g)	L	W	P	J	S	T	E	R
		N-m	kgf-cm									
HHPT	3	0.35	3.6	15	32	36	18	7.5	21	1.2	4.25	7.5
	7	0.7	7.1	28	40	48	26	8	32	1.2	4.75	8.5
	15	1.5	15.3	64	50	48	36	8	32	2	6.5	12

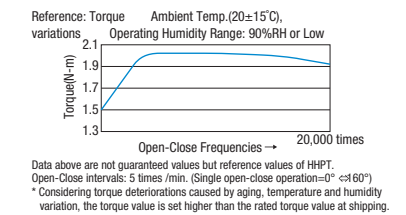
* Rated torque has a margin of error between +40% and -20%.
* Rated torque value is for a single hinge.

Part Number Example Part Number
HHPT15

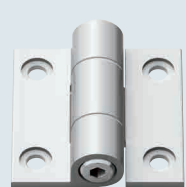
Part Number Alterations Part Number - (SET)
HHPT7 - SET

Alteration	Code	Spec.	Hinges	No.
Applicable Screw Nut Set	SET	Applicable screws and nuts come in a set. Ⓢ Stainless steel screws and nuts are included.	HHPT	3
				7
				15

Application Example

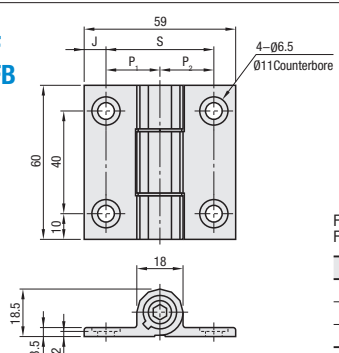


Torque Hinges – Adjustable Type



RoHS 10

HHPTF HHPTFB



For Torque Hinges selection, refer to the Formula of Selection Guide on P.3261

Name of Parts	Material	Surface Treatment
Body	6063 Aluminum Alloy	Anodized
Bushings	Polyacetal (White)	—
Socket Head Cap Screw	302HQ Stainless Steel	—

Part Number	Type	No.	*Allowable Load		**Torque Rating		Mass (g)	S	P ₁	P ₂	J	Screws / Nuts			
			kg	N	N-m	kgf-cm						Screws	Quantity	Nuts	Quantity
HHPTF HHPTFB Black Anodize	6	10	98	0-4.9	0-50	54	32	16	16	13.5	13.5	Socket Head Cap Screw 6-10	4	HNTT6-6	4
	8-6											Socket Head Cap Screw 6-10	2	HNTT6-6	2
	8											Socket Head Cap Screw 6-12	2	HNTT8-6	2
							42	21	21	8.5		Socket Head Cap Screw 6-12	4	HNTT8-6	4

* The allowable load is the value when two pieces are used.
** The torque value of 1 pc. of Hinge is shown as the Torque Rating.

Part Number Example Part Number
HHPTF8

Part Number Alterations Part Number - (SET / SST)
HHPTF6 - SET

Alterations	Code	Spec.	Hinges	No.
Applicable Screw Nut Set	SET	Applicable screws and nuts come in a set. When SST is specified, stainless steel screw and nut are included.	HHPTF HHPTFB	6
	SST (Stainless Steel)	Ⓢ When -SET is specified, the product is not RoHS compliant. (When -SET is specified, the material of the Screws is SCM35 and their surface treatment is Bright Chromate Plating.)		8-6
				8

Application Example

The torque value is adjustable using a Hexagonal Wrench.
Ⓢ Swaging by 1.5 Nm or more using a hexagonal wrench may break the Hinges.

