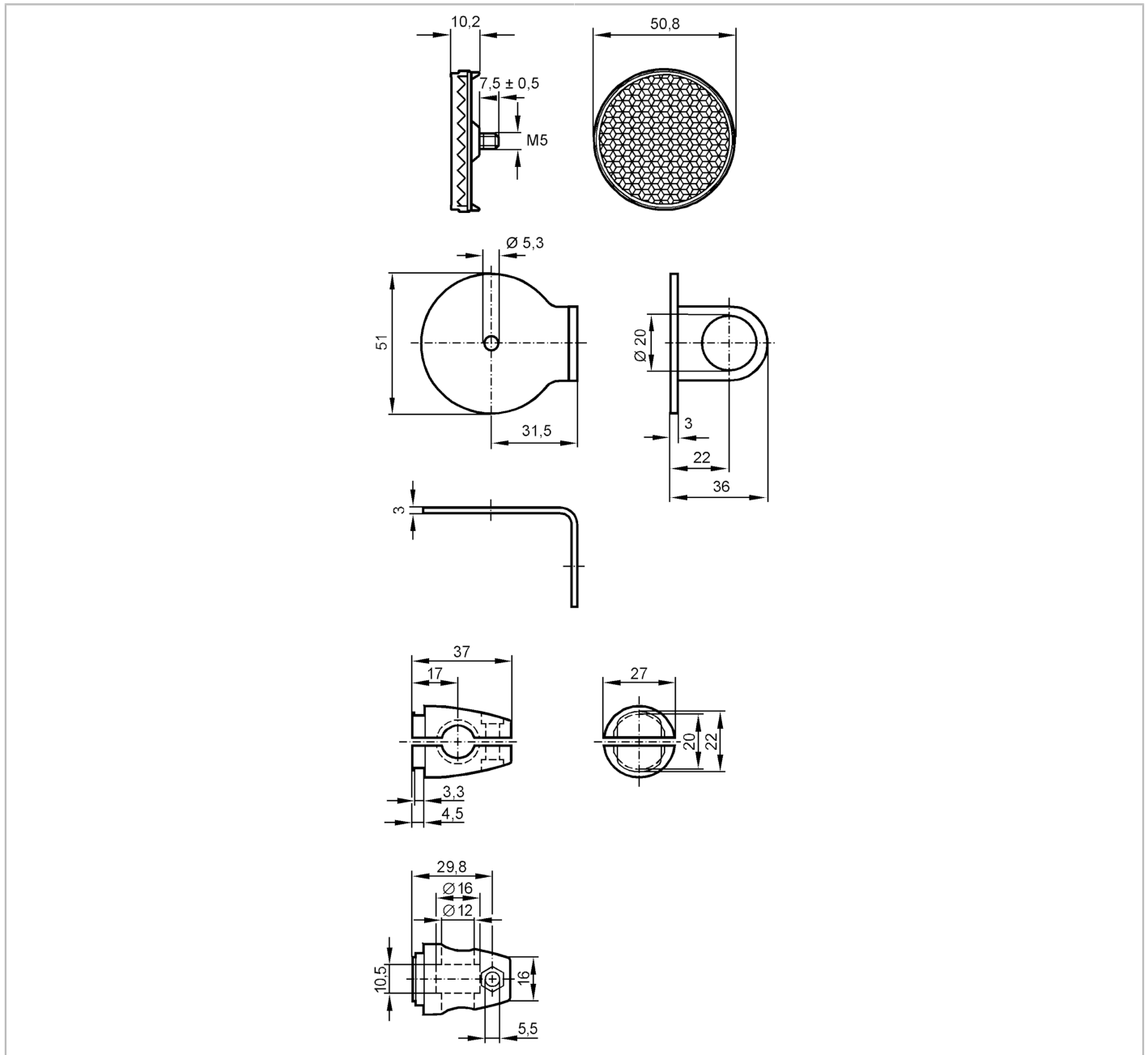


E20997



Mounting set for reflectors

SYSTEM COMPONENT REFLECTOR



Application	
Design	Clamp mounting, for reflector, Ø 50 mm
Mechanical data	
Weight [g]	235.5
Type of mounting	free-standing; (M10)
Material	fixture: stainless steel (1.4571/316Ti); Clamp: diecast zinc
Accessories	
Items supplied	head cap screw: 1 x M10 x 55
Remarks	
Pack quantity	1 pcs.